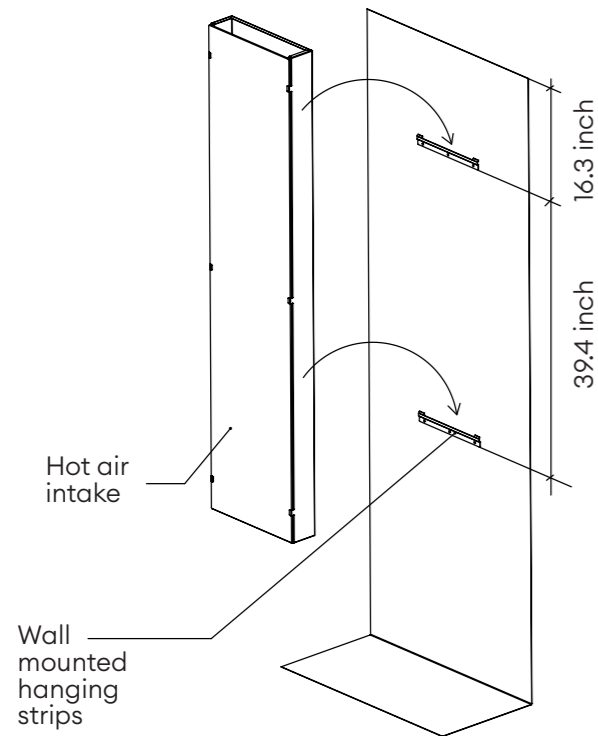


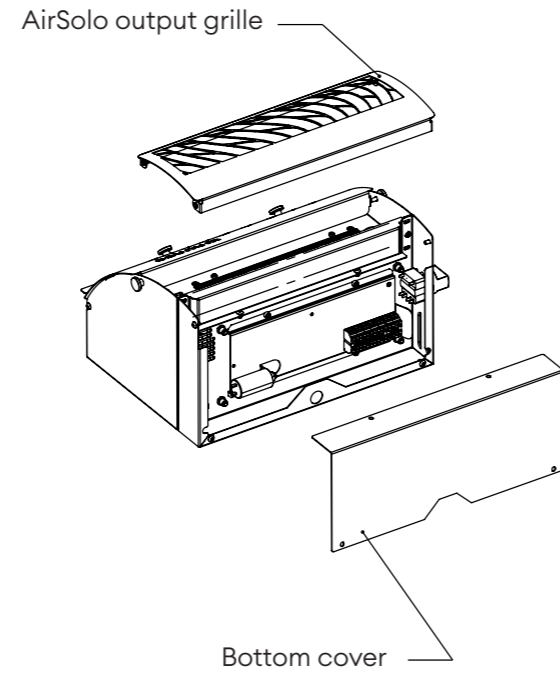
Saunum AirSolo – Quick Assembly Guide

STEP 1. AirSolo 70/80 mount strips and hot air intake installation



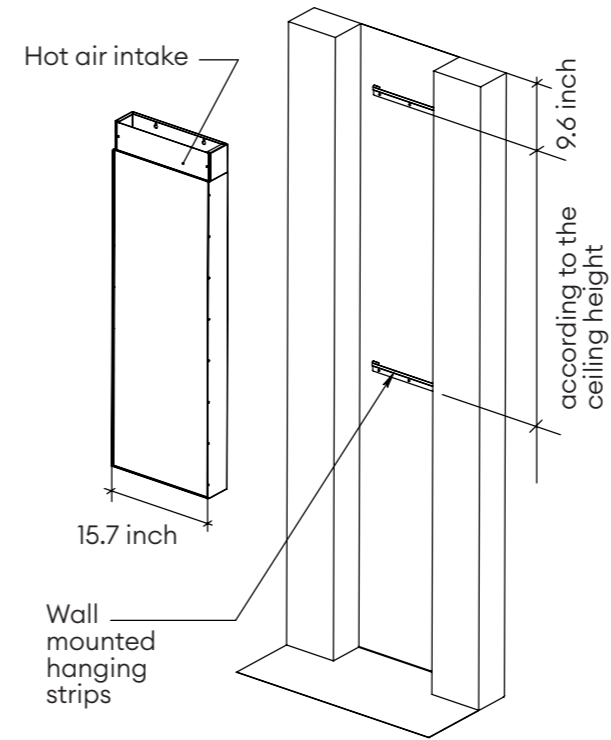
See pages 21-23

STEP 2. Power cord connection



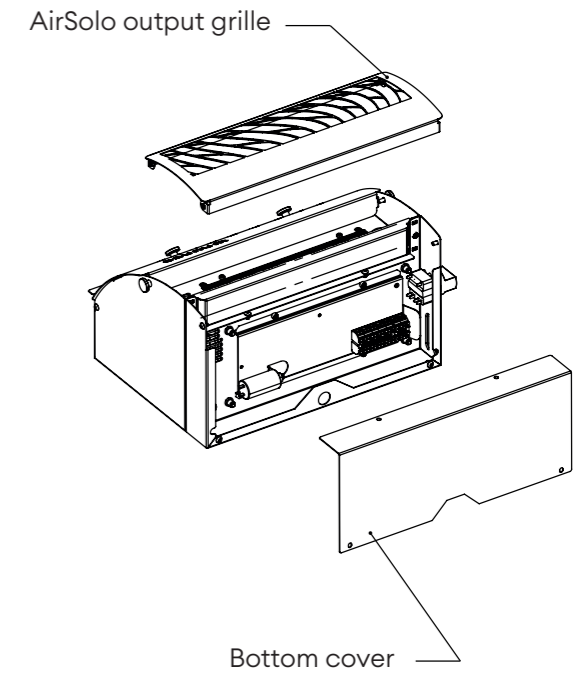
See pages 34-37

STEP 1. AirSolo Wall mount strips and hot air intake installation



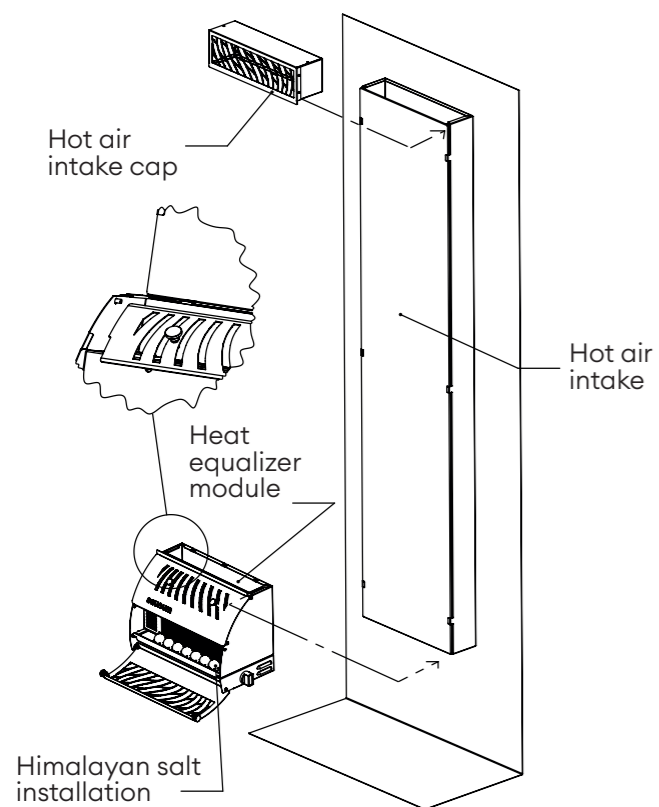
See pages 29-30

STEP 2. Power cord connection

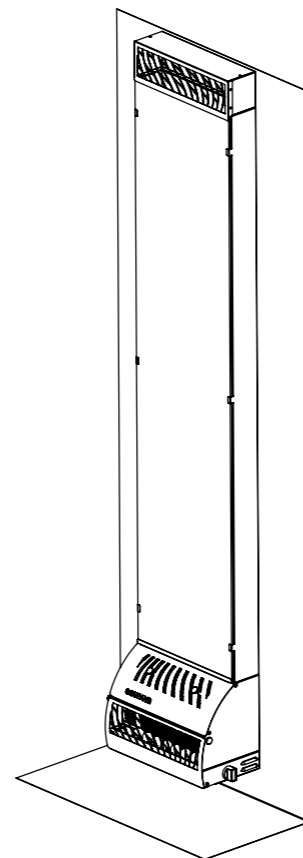


See pages 34-37

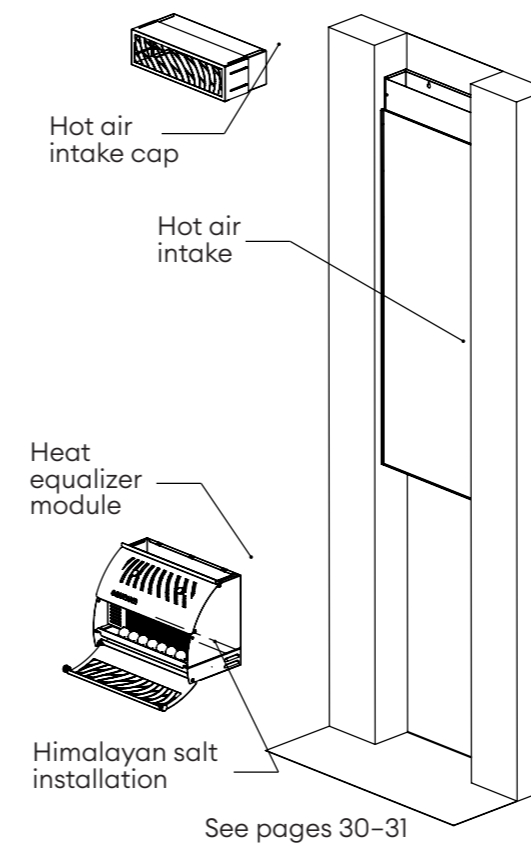
STEP 3. Hot air intake and heat equalizer



Assembled AirSolo 70/80



STEP 3. Hot air intake and heat equalizer



See pages 30-31

Assembled AirSolo Wall device

